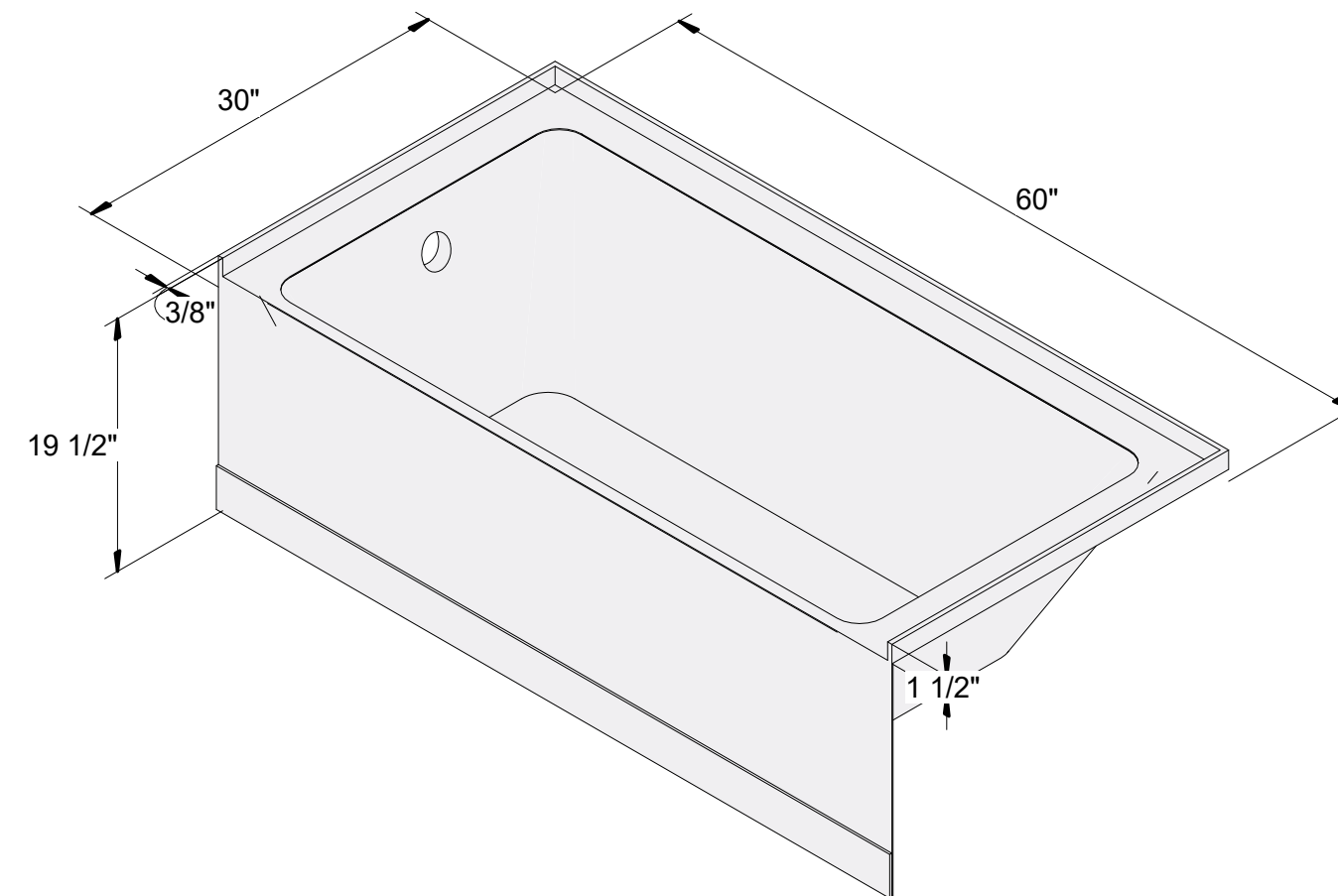


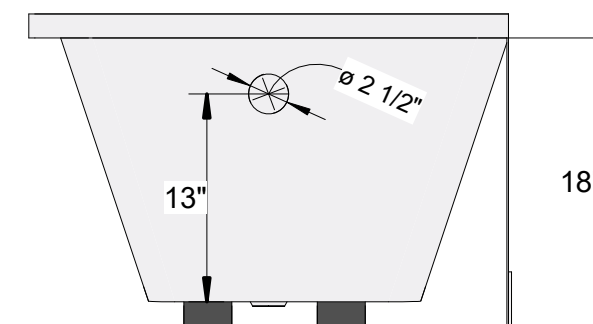
TOP VIEW



ISO VIEW



SIDE VIEW



FRONT VIEW

TECHNICAL SPECIFICATIONS:

- END DRAIN AVAILABLE
- CAPACITY: 56 GALLONS
- WEIGHT: - LBS

CODES/ STANDARDS

CSA B45.5-22

IAMPO Z124-2022

ADA COMPLIANT

Dimensions are based in industry standard +/- 3/8 inch



HARLAN 60 x 30

SIZE	DRAWN	DWG NO	REV
C	GYAMFUAH 11/2024	5B-2024-11	
SCALE: NOT TO SCALE			Sheet 22