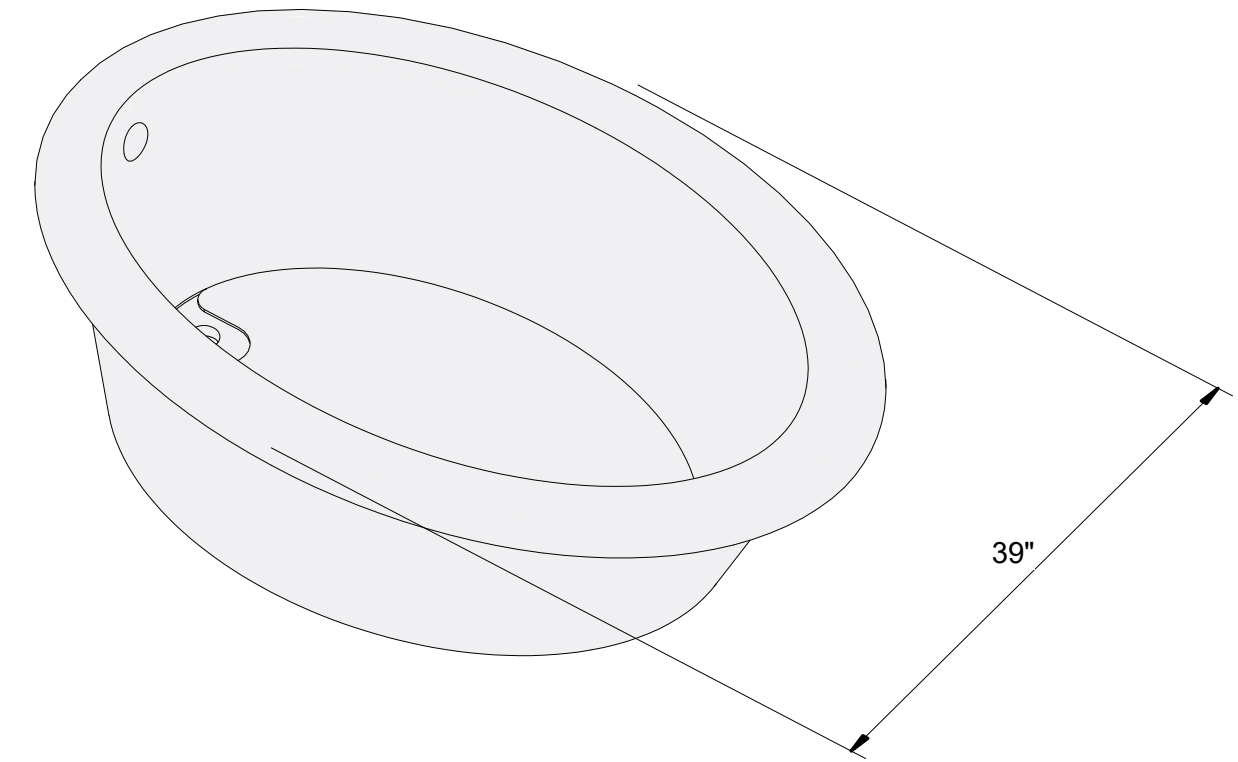
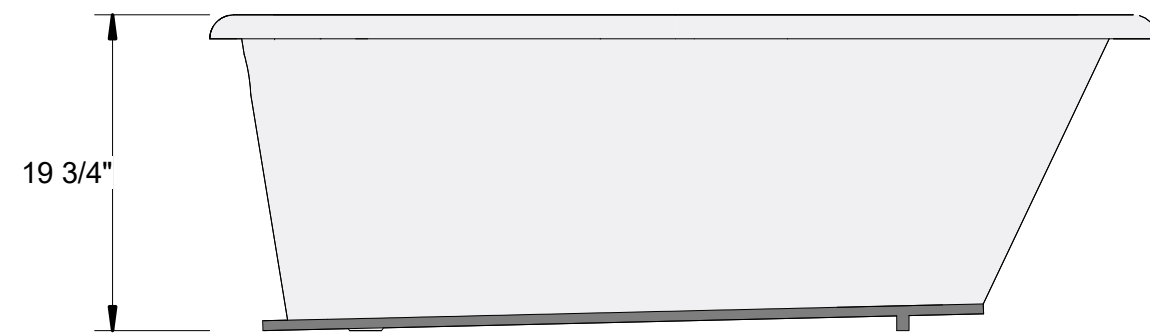


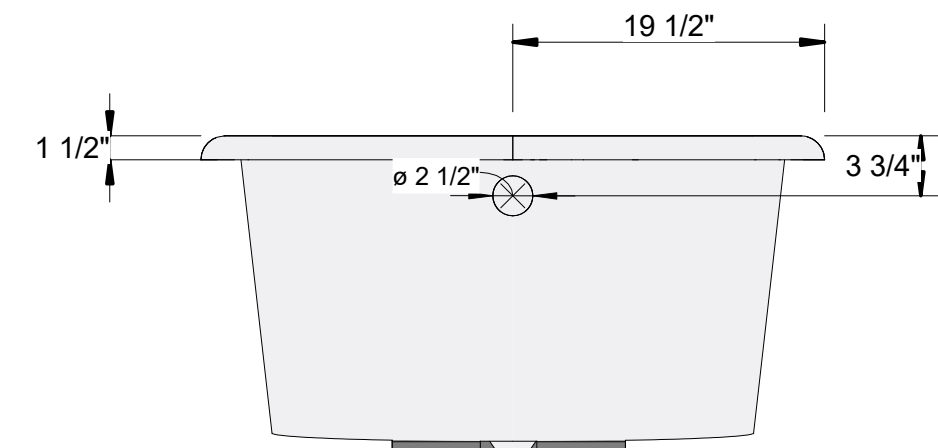
TOP VIEW



ISO VIEW



SIDE VIEW



FRONT VIEW

TECHNICAL SPECIFICATIONS:

- END DRAIN AVAILABLE
- CAPACITY: 55 GALLONS
- WEIGHT: 111 LBS

CODES/ STANDARDS

CSA B45.5-22
IAMPO Z124-2022



IMPERIAL V

SIZE	DRAWN	DWG NO	REV
C	DECKER 10/2024	17-2024-11	
SCALE	1" = 1'-0"	TOLERANCE +/- .38	Sheet 24