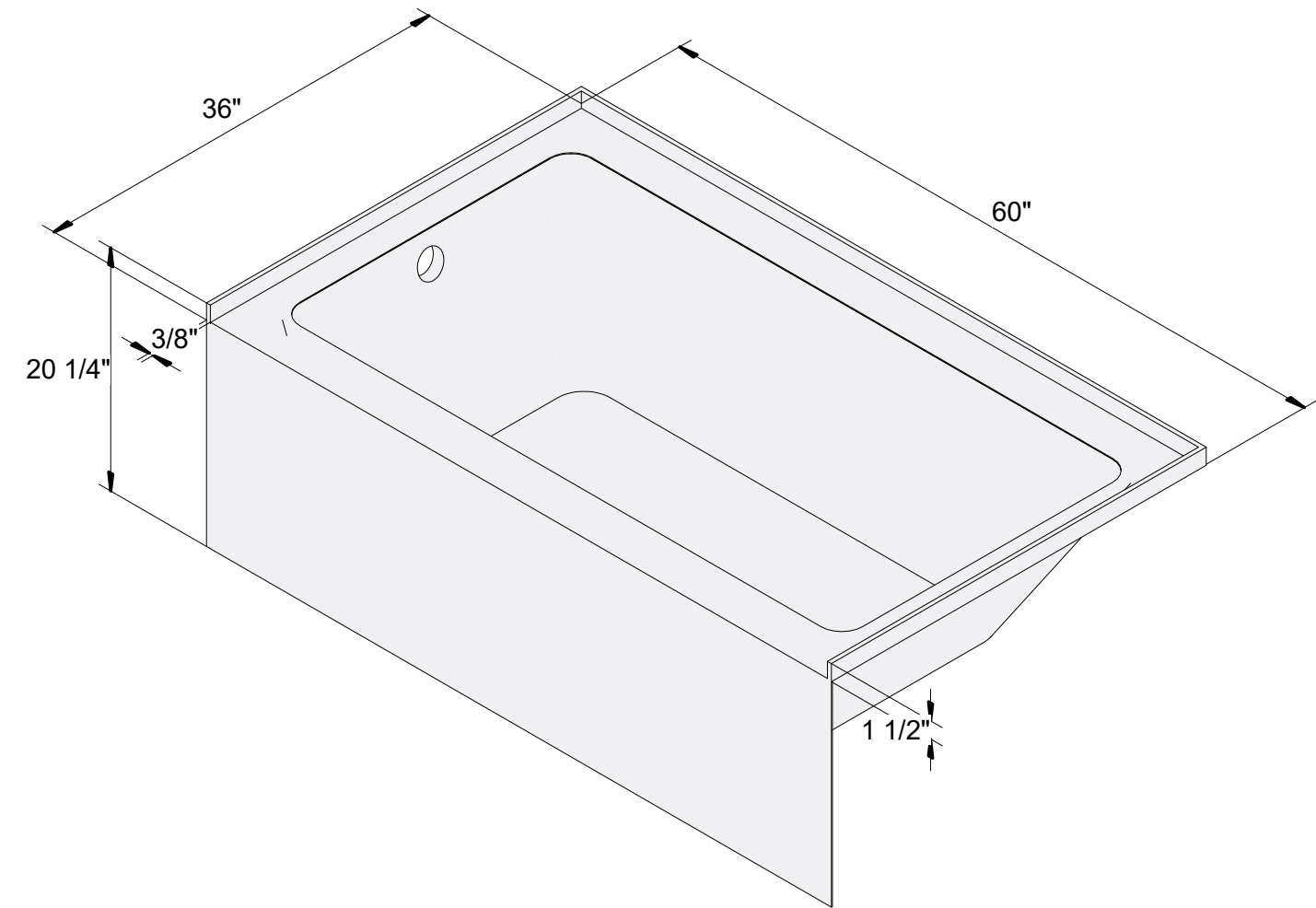
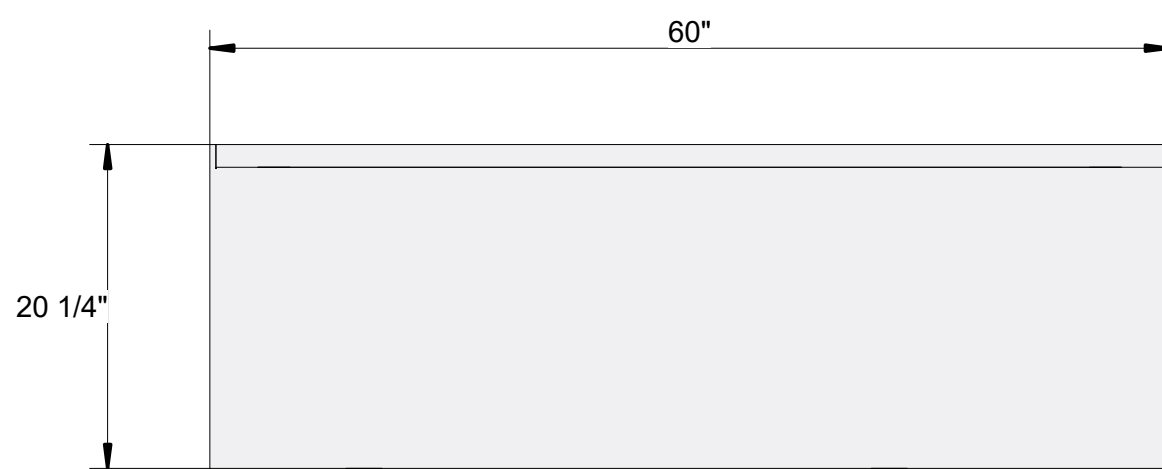


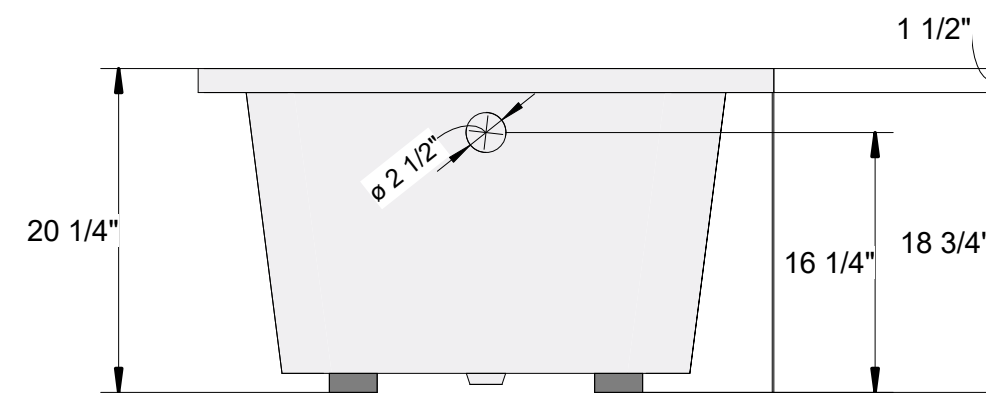
TOP VIEW



ISO VIEW



SIDE VIEW



FRONT VIEW

**TECHNICAL SPECIFICATIONS:**

- LEFT OR RIGHT HAND DRAIN AVAILABLE
- CAPACITY: 50 GALLONS
- WEIGHT: 105LBS

**CODES/ STANDARDS**

CSA B45.5-22  
IAMPO Z124-2022



# DREAMER

SIZE	DRAWN	DWG NO	REV
C	DECKER 10/2024	2N-2024-10	
SCALE	1" = 1'-0"	TOLERANCE +/- .38	Sheet 1 of 75