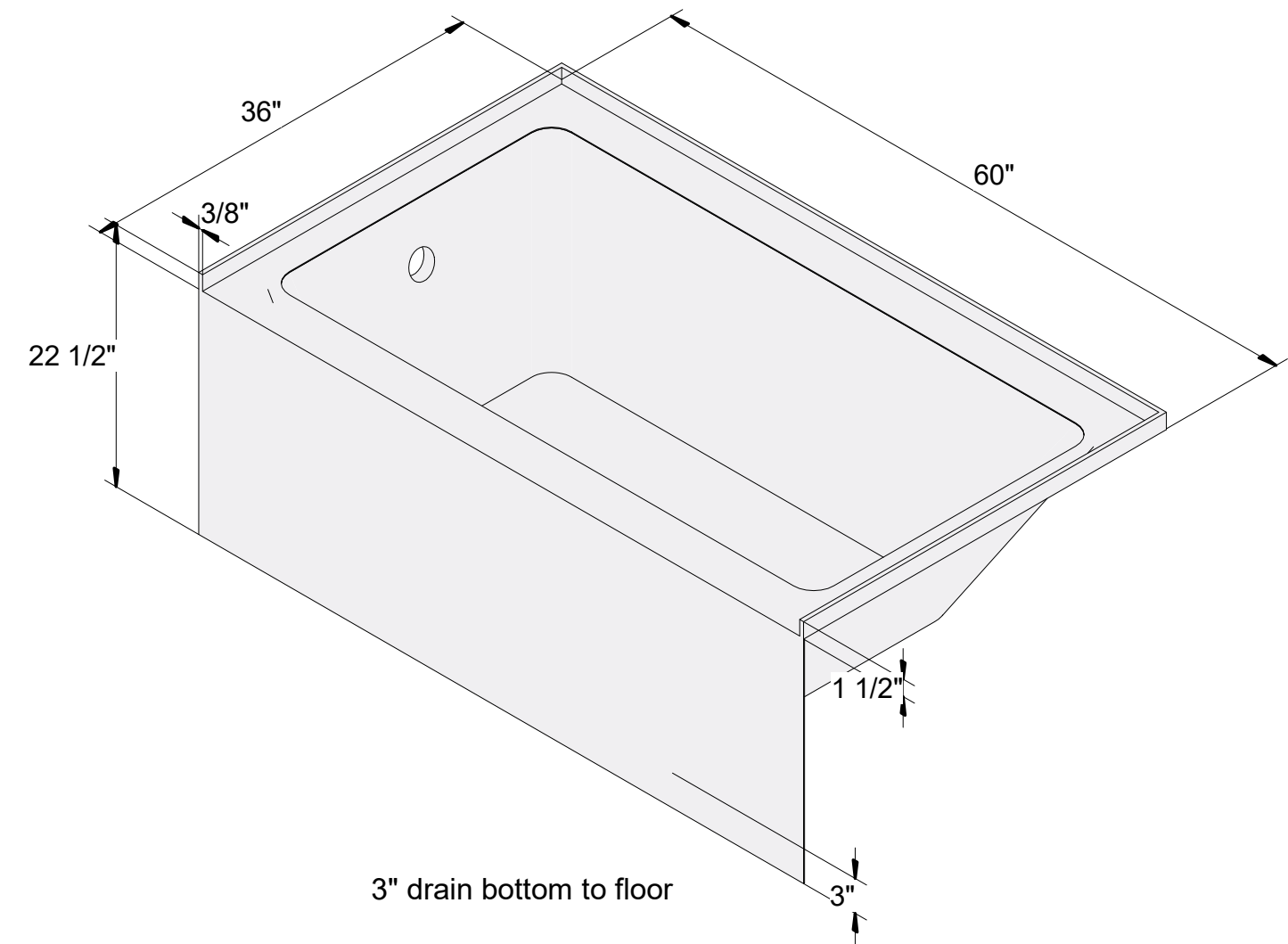
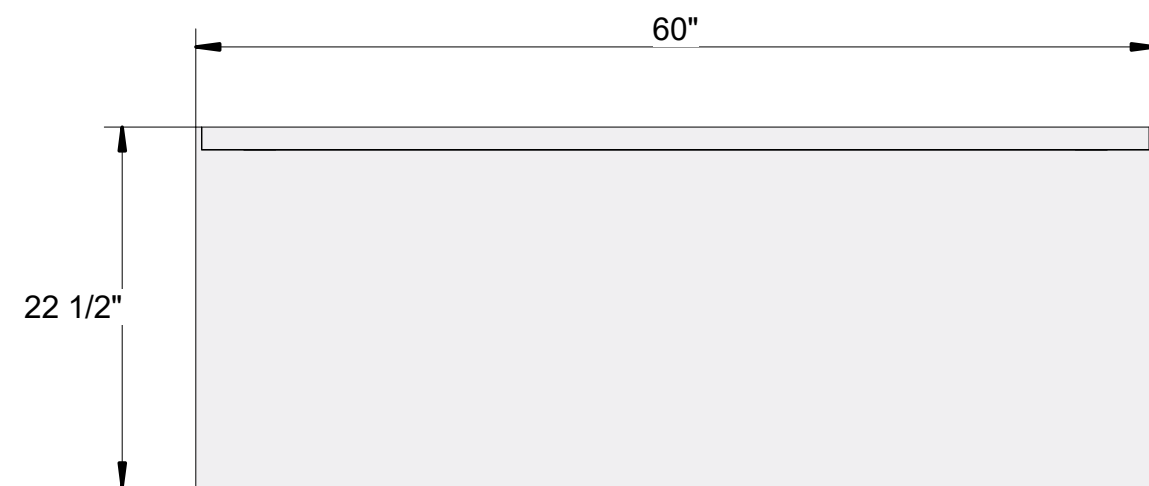


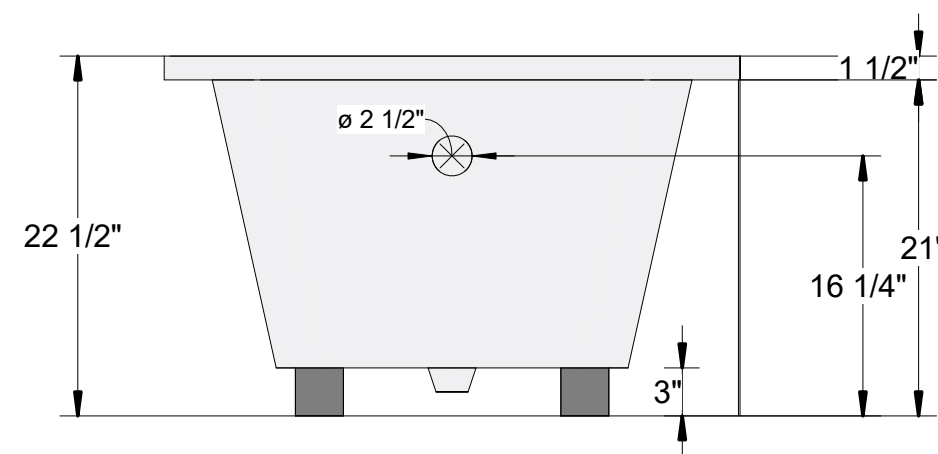
TOP VIEW



ISO VIEW



SIDE VIEW



FRONT VIEW

TECHNICAL SPECIFICATIONS:

- LEFT OR RIGHT HAND DRAIN AVAILABLE
- CAPACITY: 50 GALLONS
- WEIGHT: 112LBS

CODES/ STANDARDS

CSA B45.5-22
IAMPO Z124-2022



DREAMER AFD

SIZE	DRAWN	DWG NO	REV
C	Author	2P-2024-10	
SCALE	1" = 1'-0"	TOLERANCE +/- .38	Sheet 2