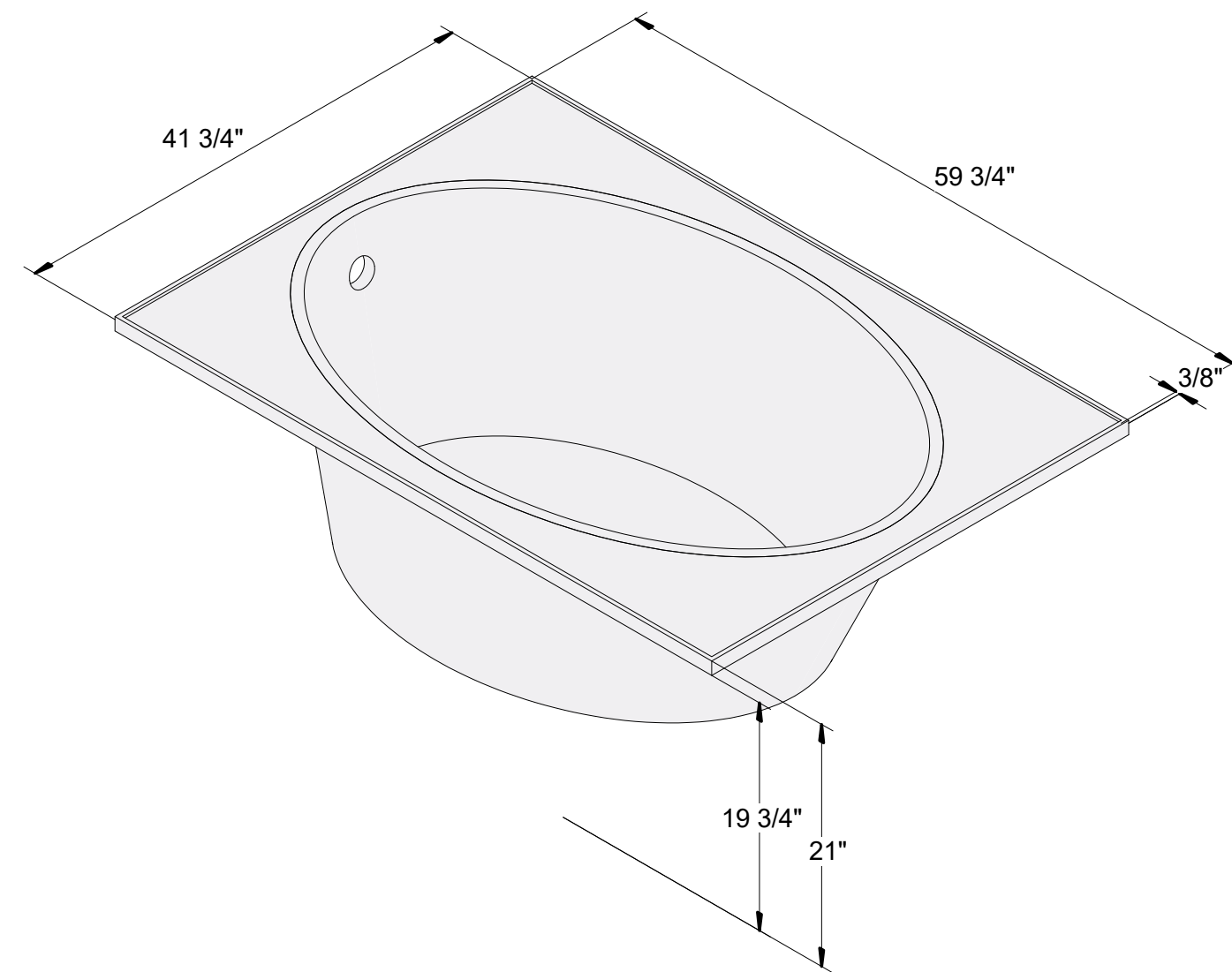
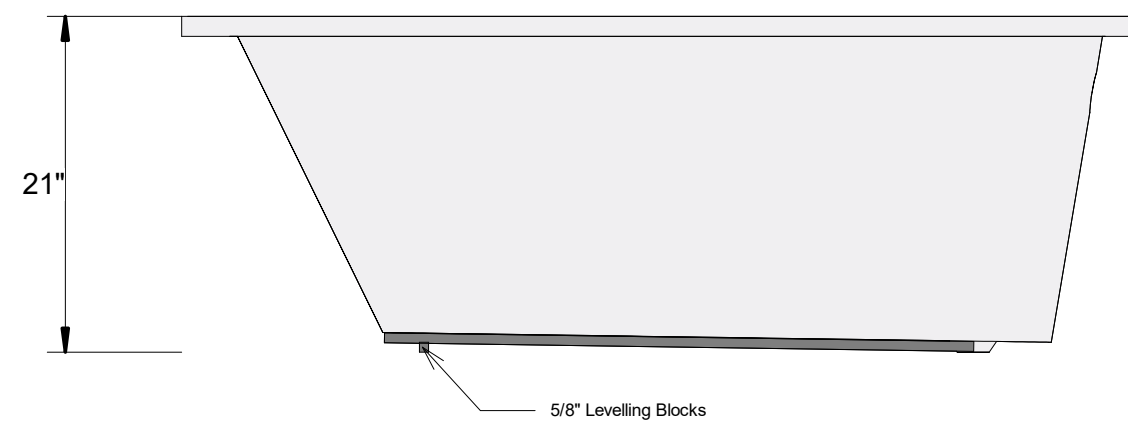


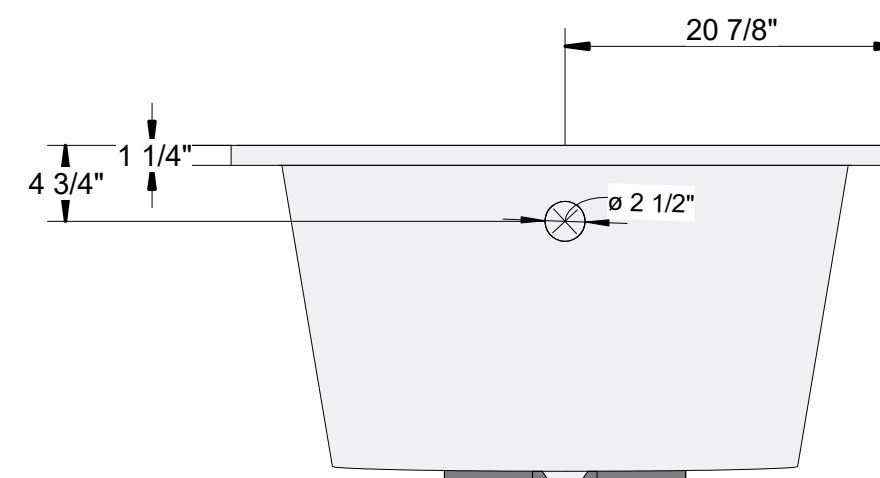
TOP VIEW



ISO VIEW



SIDE VIEW



FRONT VIEW

**TECHNICAL SPECIFICATIONS:**

- END DRAIN AVAILABLE
- CAPACITY: 60 GALLONS
- WEIGHT: 126LBS

**CODES/ STANDARDS**

CSA B45.5-22  
IAMPO Z124-2022

Dimensions are based in industry standard +/- 3/8 inch

SIZE	DRAWN	DWG NO	REV
C	DECKER 10/2024	03-2024-11	
SCALE: NOT TO SCALE			Sheet 20



# DEEP WIDE OVAL