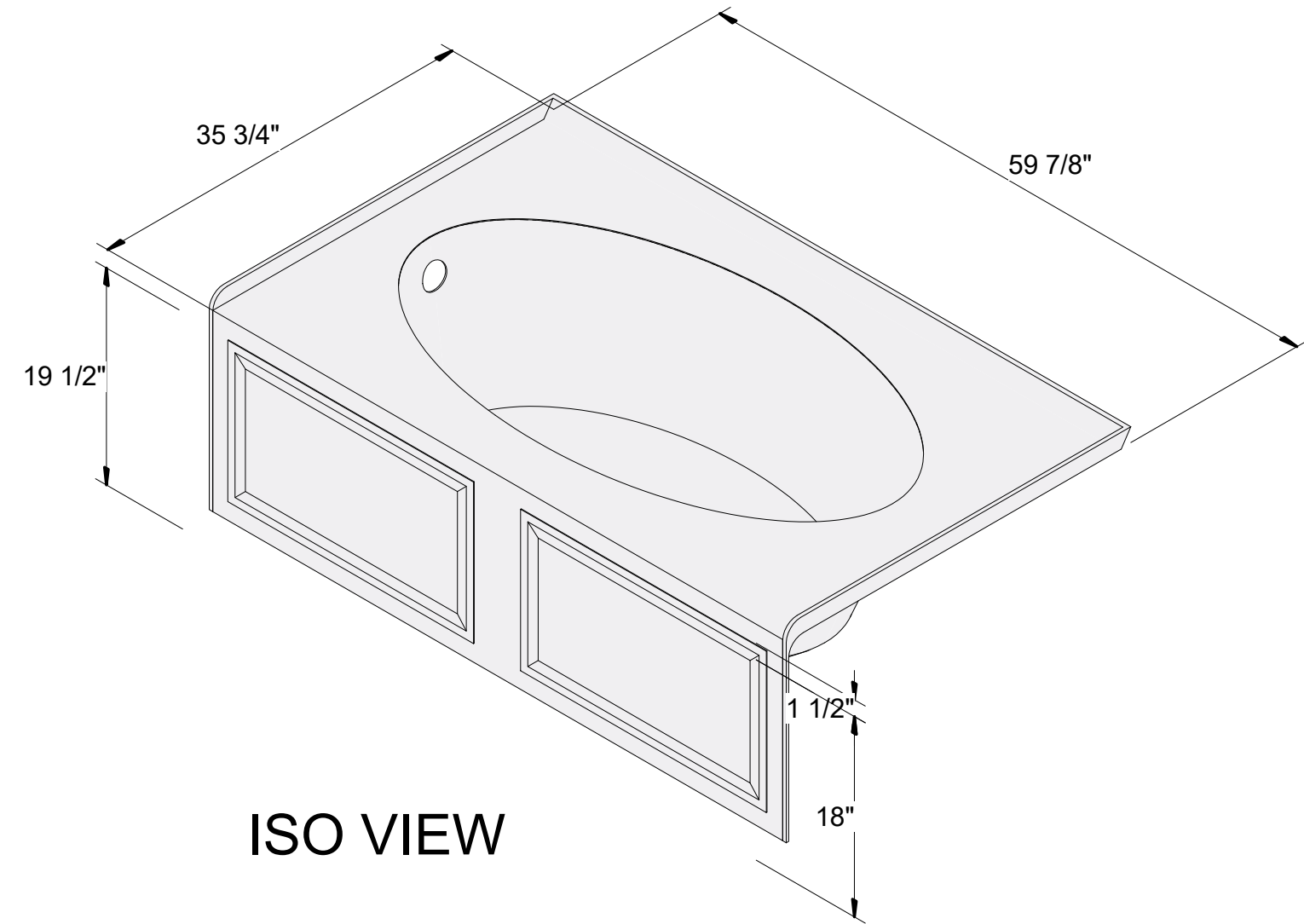
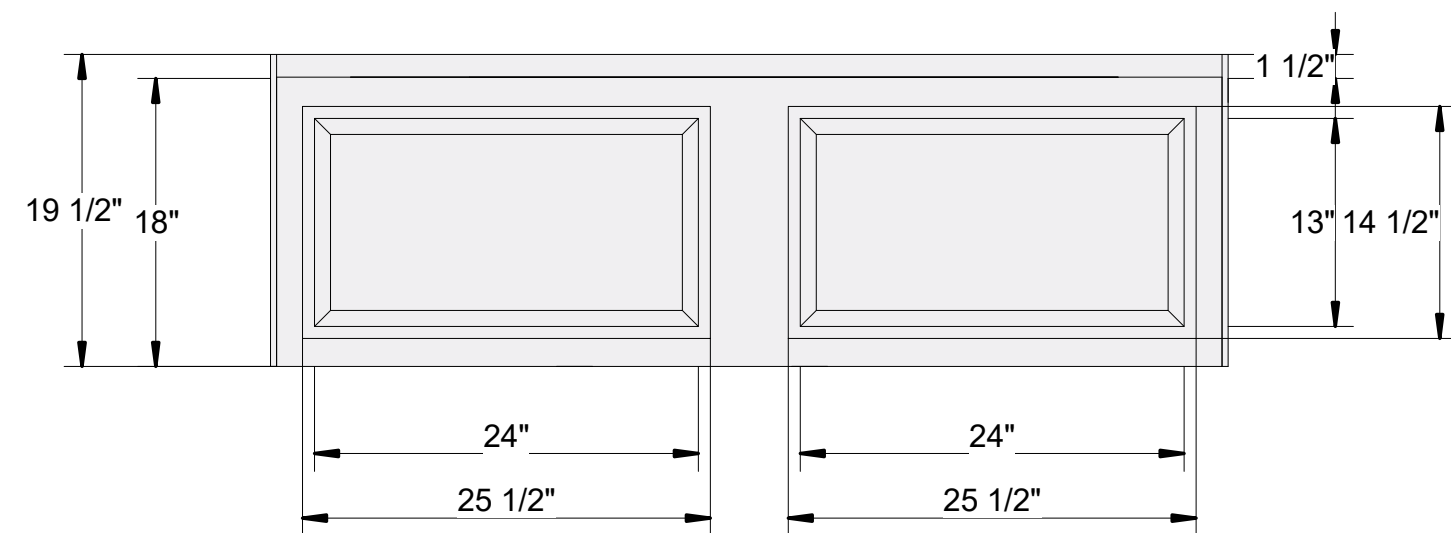


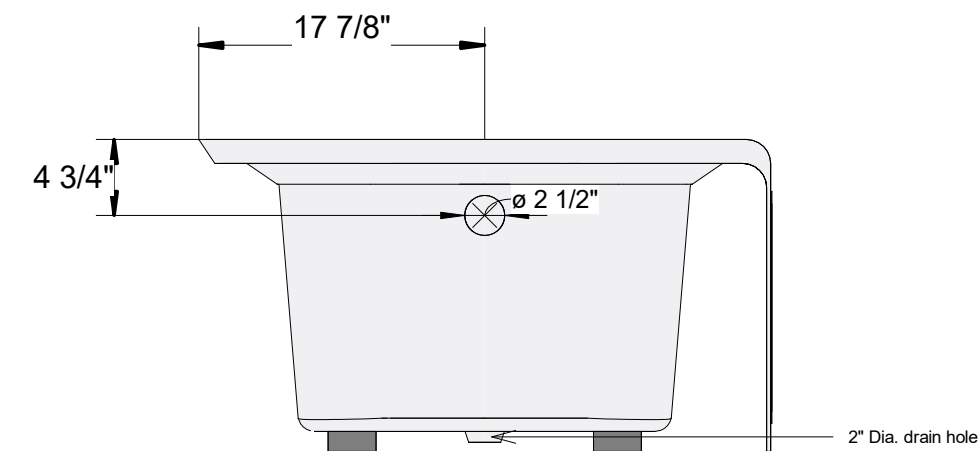
TOP VIEW



ISO VIEW



SIDE VIEW



FRONT VIEW

**TECHNICAL SPECIFICATIONS:**

- LEFT OR RIGHT HAND DRAIN AVAILABLE
- CAPACITY: 50 GALLONS
- WEIGHT: 135LBS

**CODES/ STANDARDS**

CSA B45.5-22  
IAMPO Z124-2022

Dimensions are based in industry standard +/- 3/8 inch

SIZE	DRAWN	DWG NO	REV
C	DECKER 10/2024	2D-2024-10	
SCALE: NOT TO SCALE			Sheet 5



# CANYON