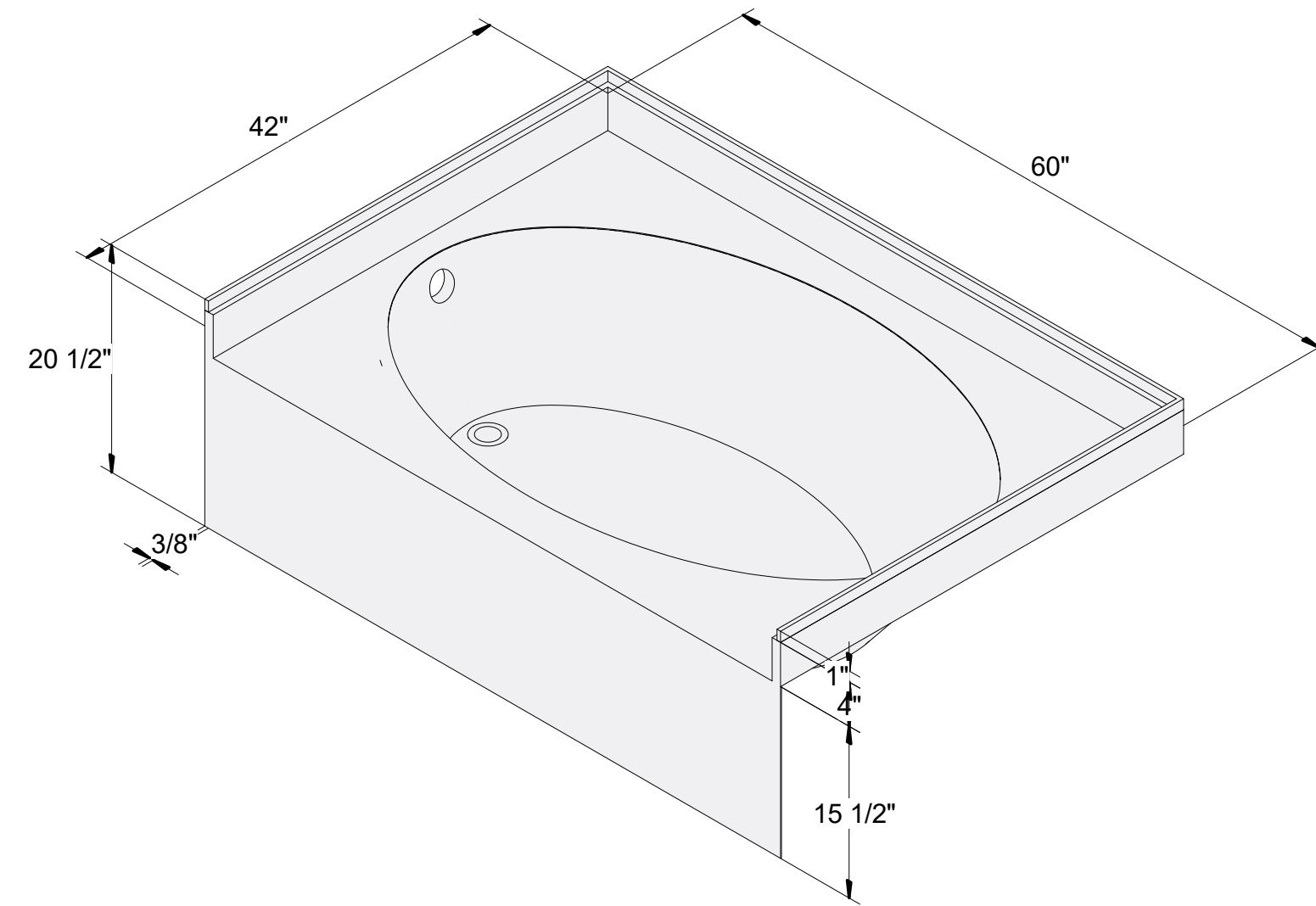
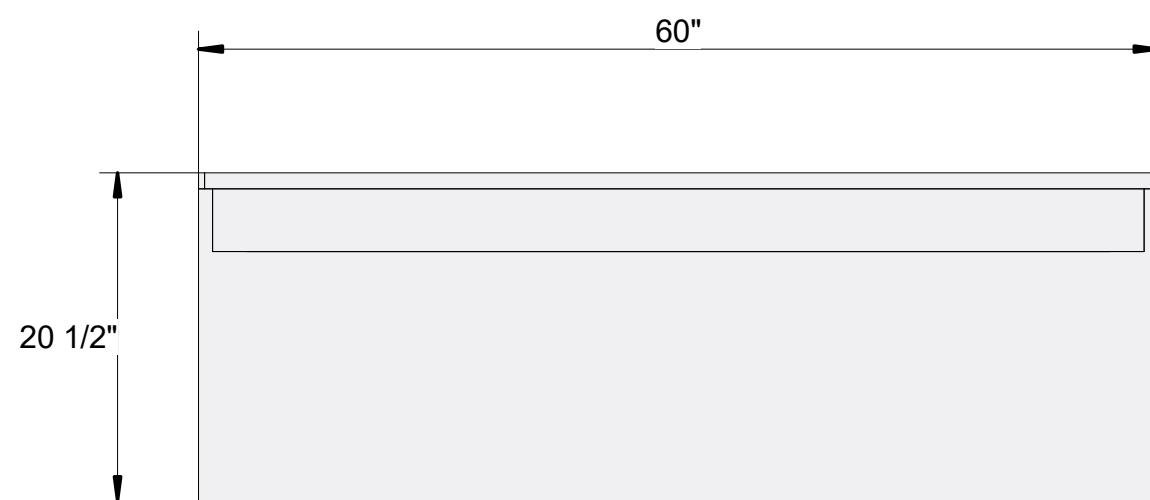


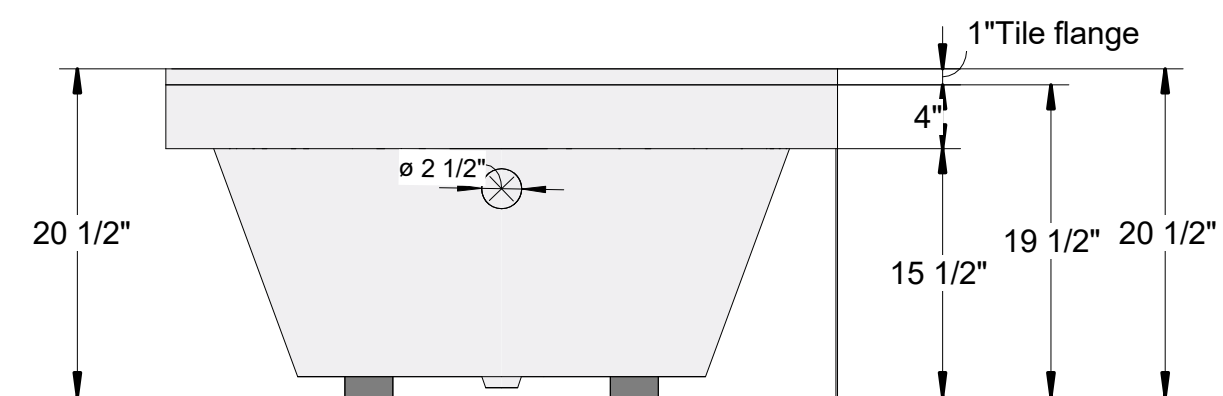
TOP VIEW



ISO VIEW



SIDE VIEW



FRONT VIEW

TECHNICAL SPECIFICATIONS:

- LEFT OR RIGHT HAND DRAIN AVAILABLE
- CAPACITY: 56 GALLONS
- WEIGHT: 110LBS

CODES/ STANDARDS

CSA B45.5-22
IAMPO Z124-2022

Dimensions are based in industry standard +/- 3/8 inch

SIZE	DRAWN	DWG NO	REV
C	DECKER 10/2024	01-2024-10	
SCALE: NOT TO SCALE			Sheet 4



ARLYS SFS