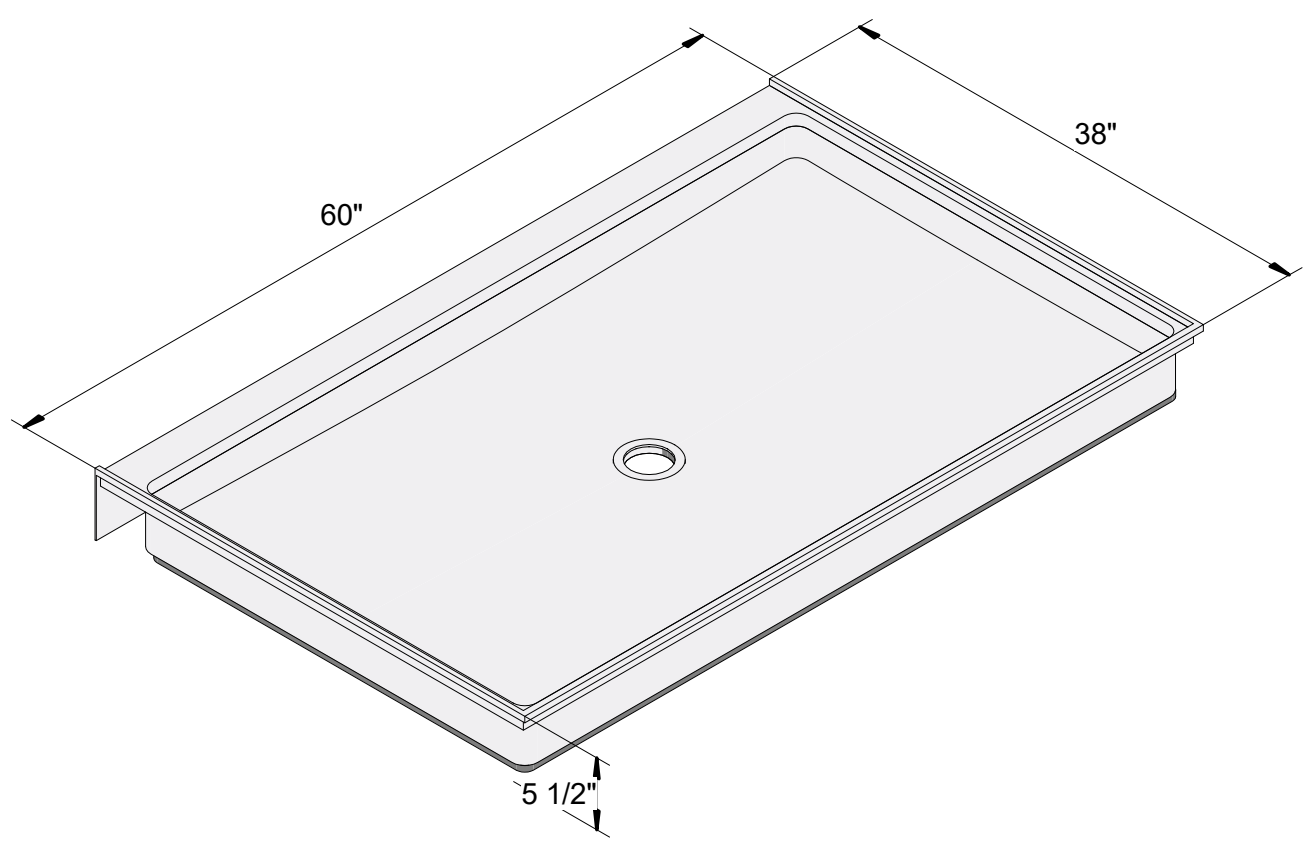
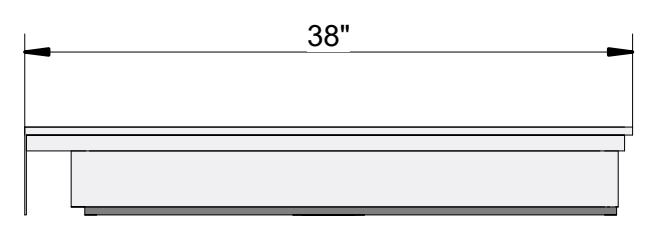


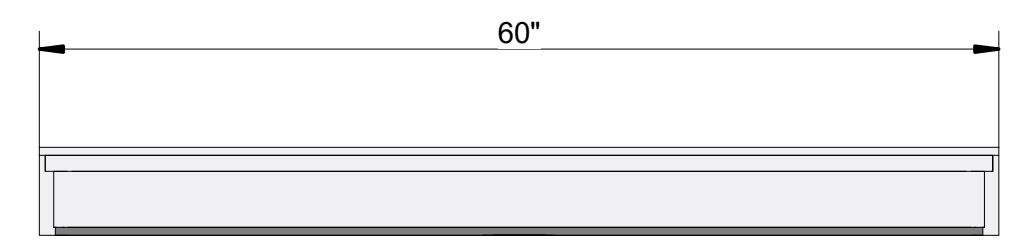
TOP VIEW



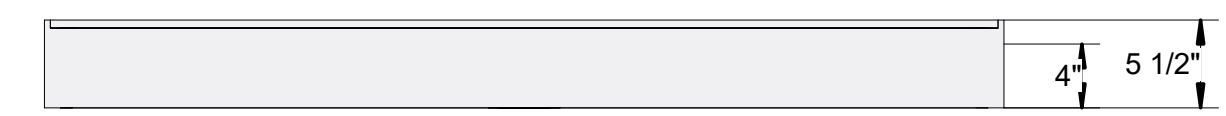
ISO VIEW



SIDE VIEW



FRONT VIEW



TECHNICAL SPECIFICATIONS:

CODES/ STANDARDS
 CSA B45.5-22
 IAMPO Z124-2022

Dimensions are based in industry standard +/- 3/8 inch

SIZE	DRAWN	DWG NO	REV
C	Author		
SCALE: NOT TO SCALE			Sheet 58



60 x 38 SHOWER BASE